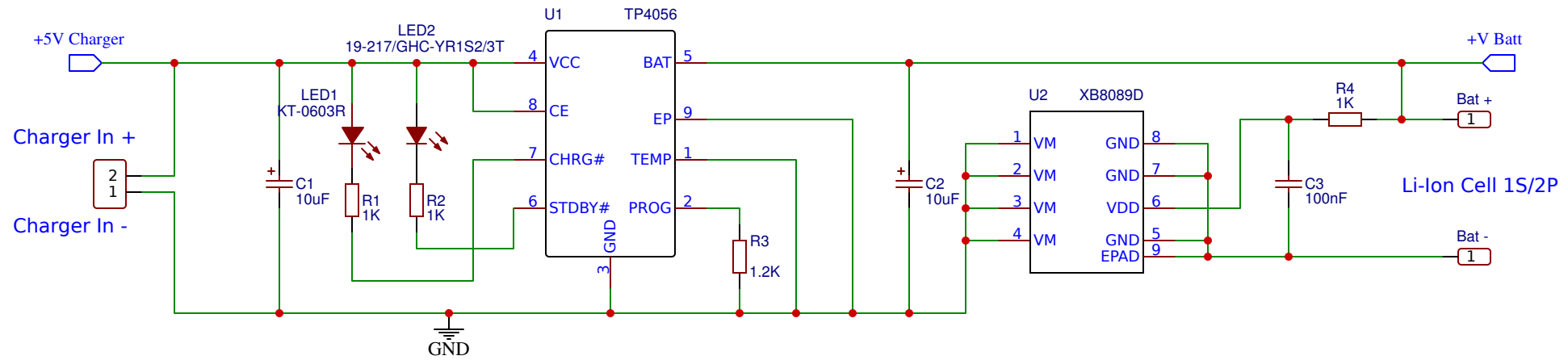
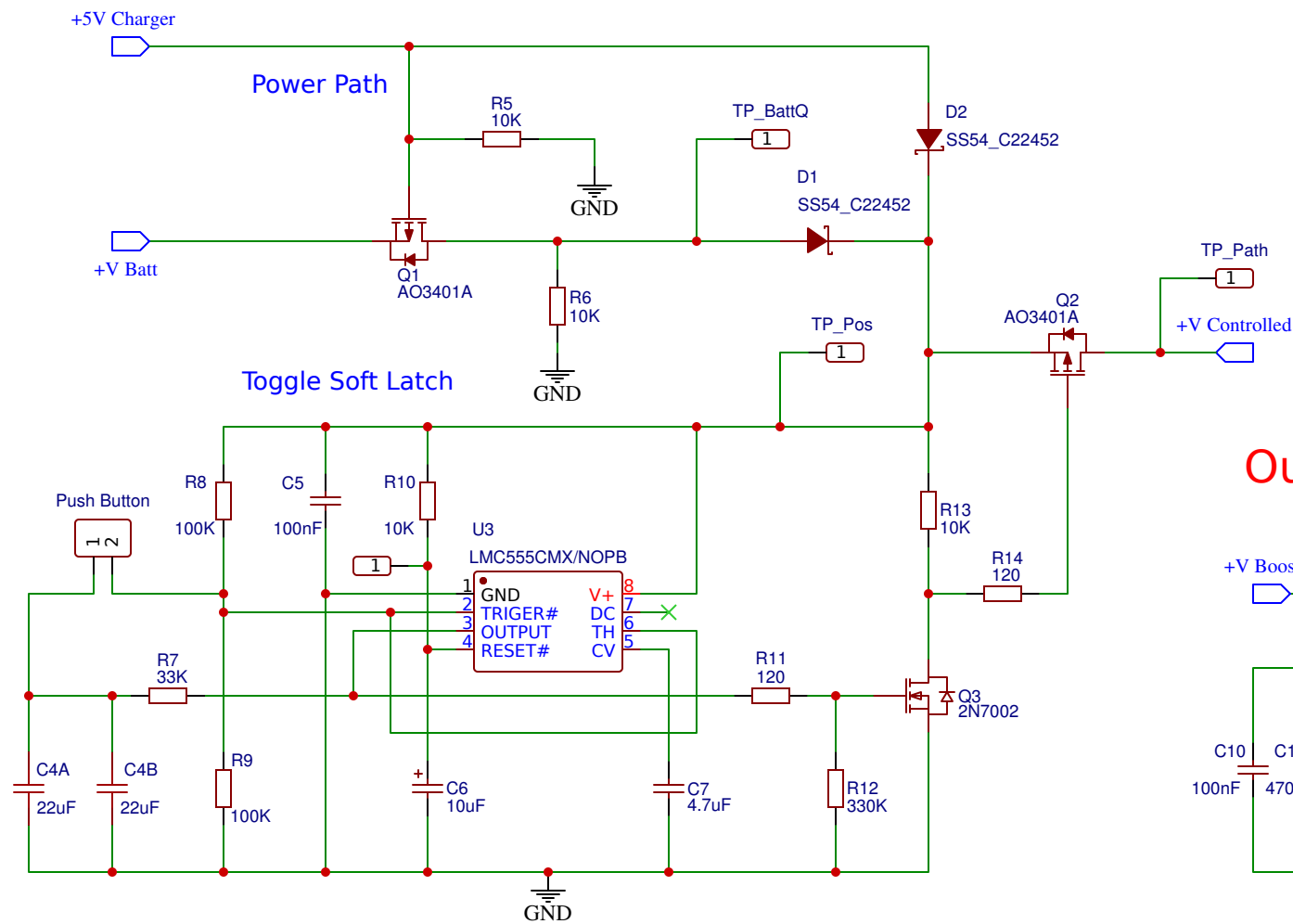


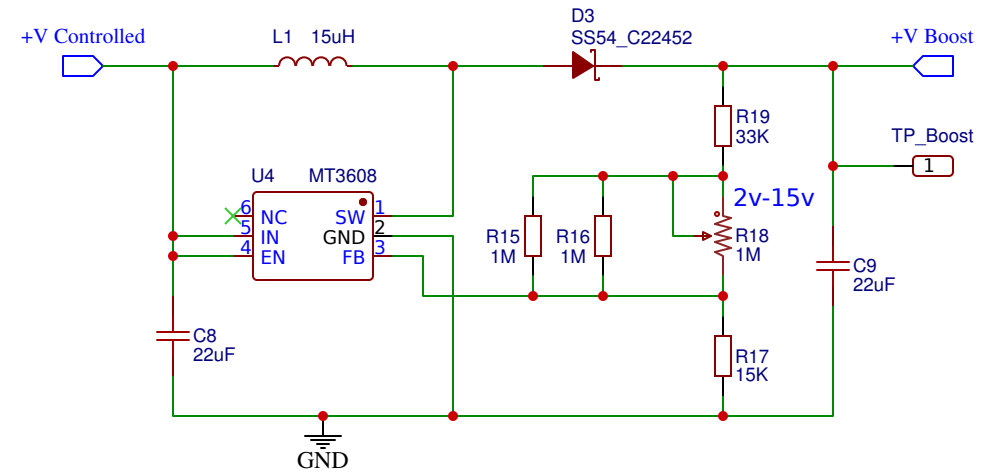
# Charging / Battery Protection



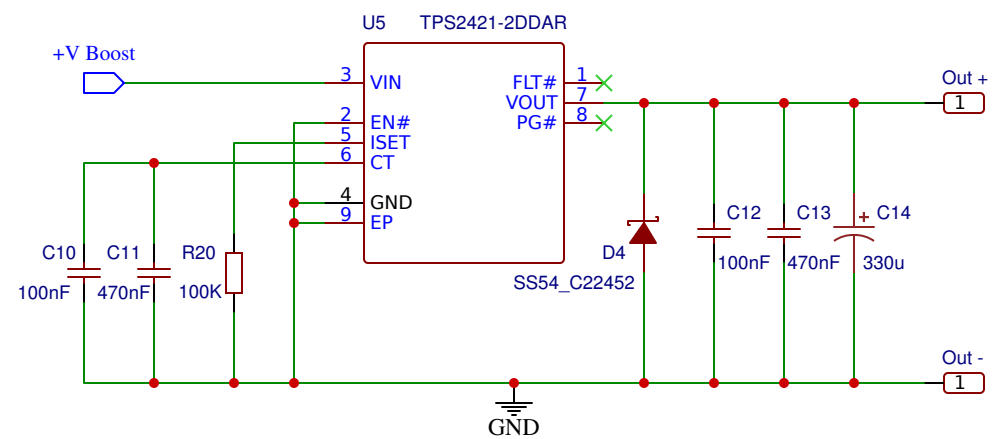
# Source Control



# Boost Converter



# Output Protection



TITLE:	2-15V 2A Li-Ion Power Supply / BMS	REV:	4.g	
	Company:	K4ICy	Sheet:	1/1
	Date:	2021/08/21	Drawn By:	Mike Maynard