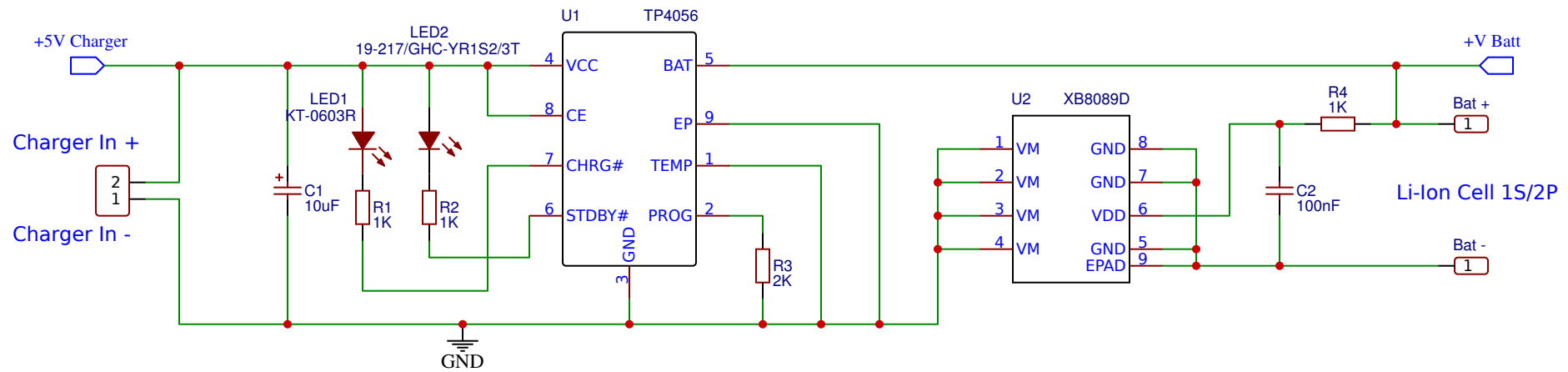
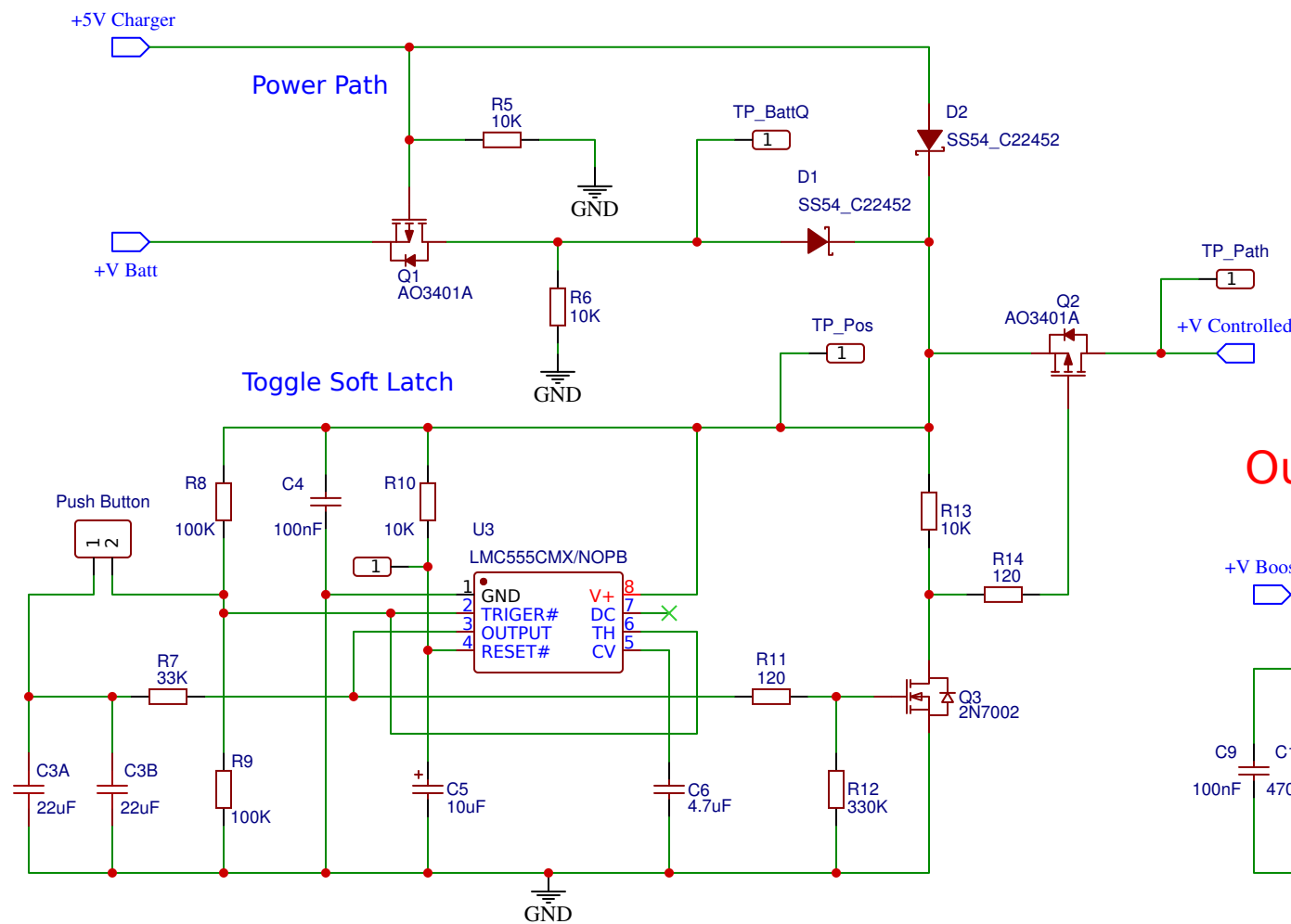


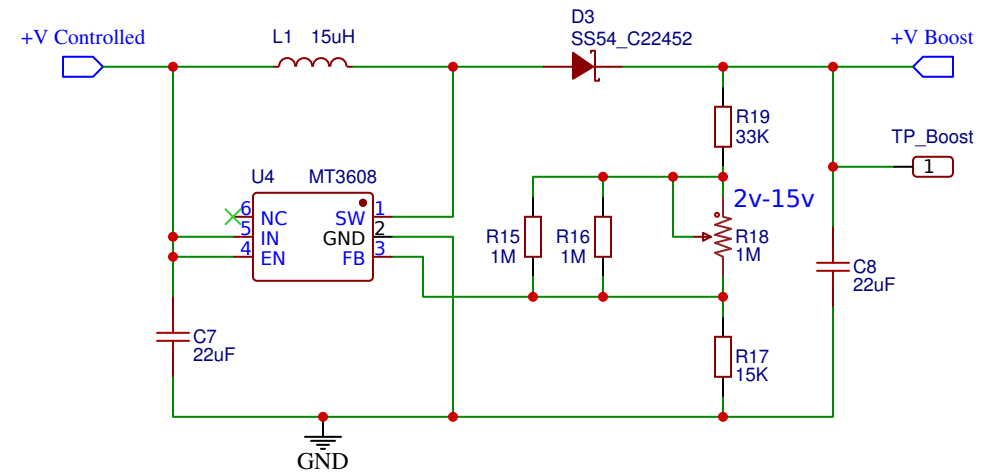
Charging / Battery Protection



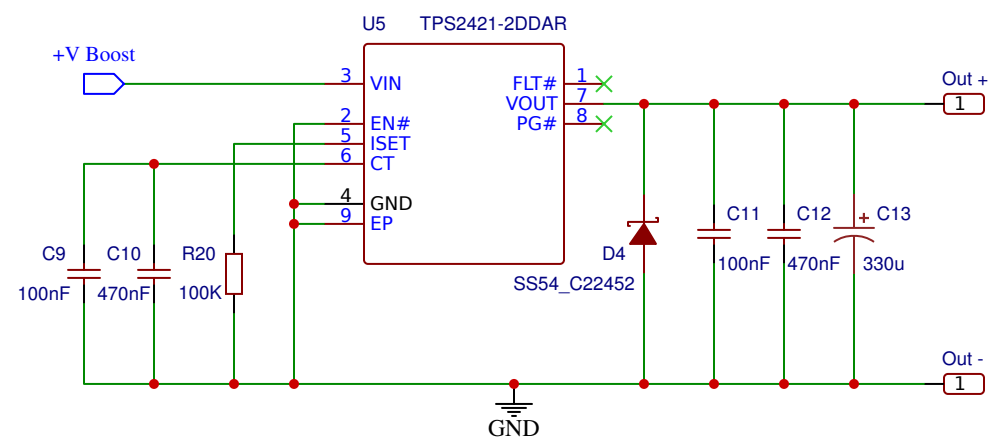
Source Control



Boost Converter



Output Protection



| | | |
|---|------------------------|------------|
| TITLE: 2-15V 2A Li-Ion Power Supply / BMS | | REV: 4.e |
| Company: K4ICy | | Sheet: 1/1 |
| Date: 08/11/2021 | Drawn By: Mike Maynard | |