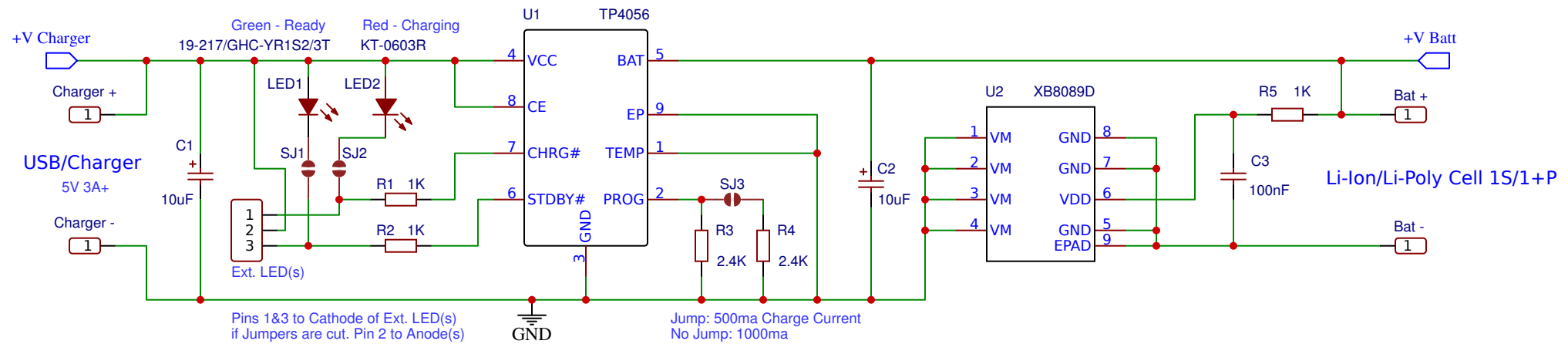
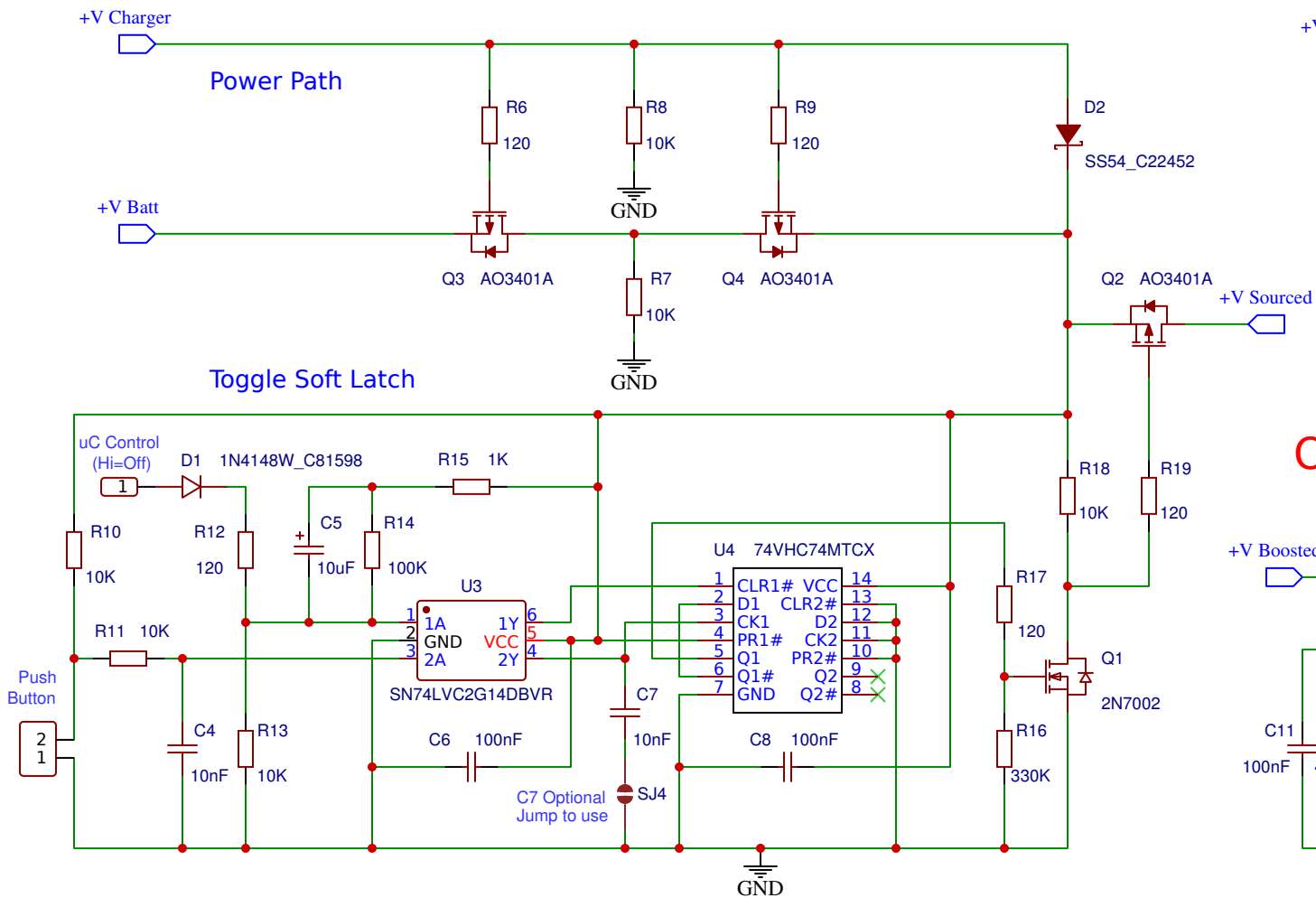


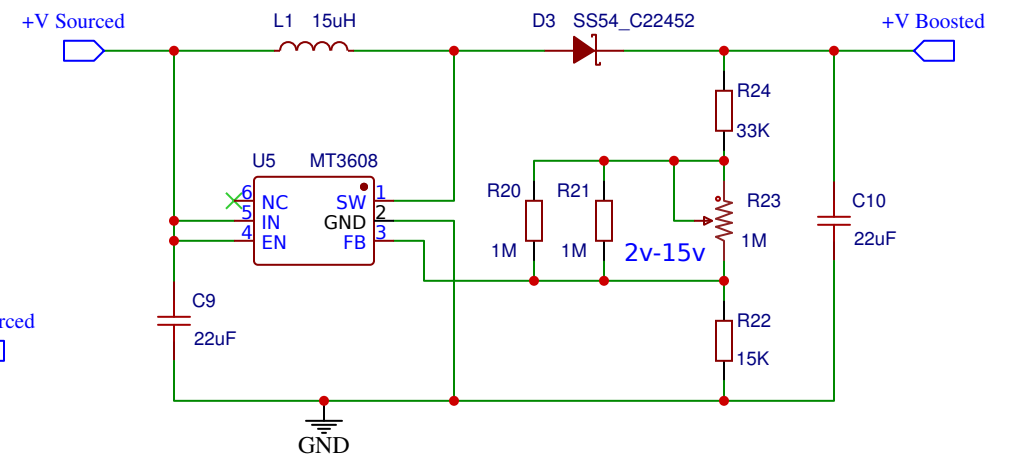
# Charging / Battery Protection



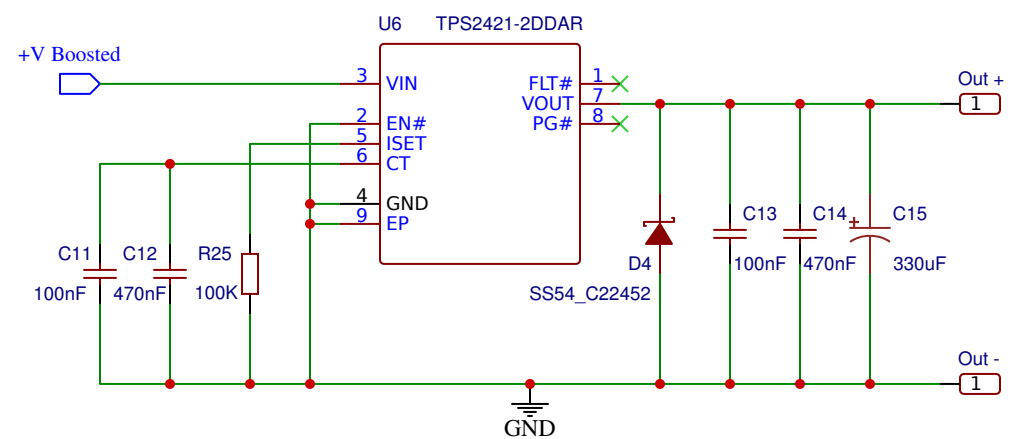
# Source Control



# Boost Converter



# Output Protection



TITLE:	2-15V 2A Li-Ion/Li-Poly Power Supply / BMS	REV: 6.g
	Company: K4ICy	Sheet: 1/1
	Date: 2021/08/29	Drawn By: Mike Maynard